

FELBER T14 LOW

PRODUCT DATA SHEET



FELBER T14 LOW

DESIGN: DIETIKER, 2014

The consistent language of the Felber collection is also reflected in the table family. The tables allow for optimal legroom thanks to the clever arrangement of feet in X and Y.



TECHNICAL DATA

CONSTRUCTION

T14 Wood Low

Table top thickness of 22mm, in HPL melamine surface, wood veneer or solid wood. Feet are made of solid wood 30mm and screwed with a mounting plate. The low table has 4 Y-feet.

T14 Metal Low

Table top thickness of 22mm, in HPL melamine surface, wood veneer or solid wood. Steel wire frame, Ø 10mm, bent and welded.

CONFIGURATION

Table top: HPL melamine with ABS edge
Veneer beech with edge U5
Veneer oak with edge U5
Solid wood beech with edge 37
Solid wood beech with edge 50

Feet: Solid wood beech
Metal chromed

Option: Powder-coated frame on request

WOOD OPTIONS

Standard: Beech

Option: Oak with surcharge, other types of wood on request

WOOD SURFACE TREATMENT

Stained with a water-based stain, highly resistant to light, based on dye / pigment inks.

Varnished with a varnish 2-component water-based, PU-based with very good resistance to light and a protective effect to light (UV filter).

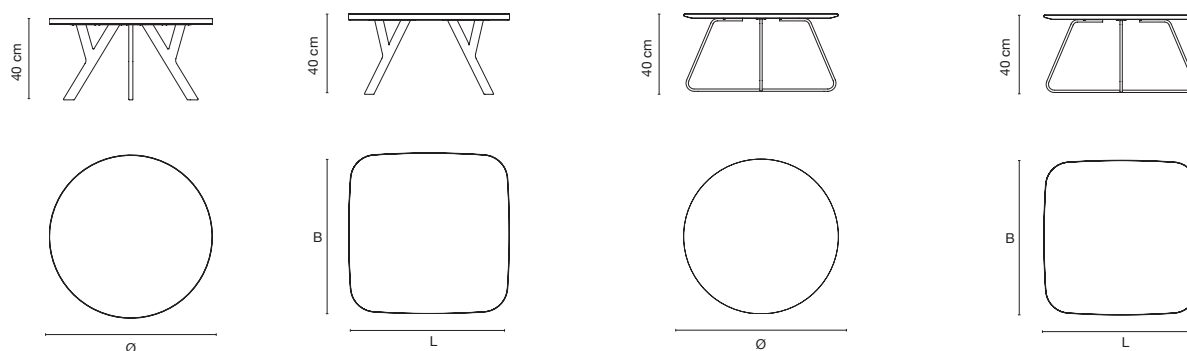
Meets the highest standards according to DIN 68861 and the high fire safety regulations (hardly inflammable).

The same applies for the solvent-based paints used for oak.

GLIDES

Standard: Plastic

DIMENSIONS



FELBER T14 OVERVIEW



Table



Coffee table · High table



Details
